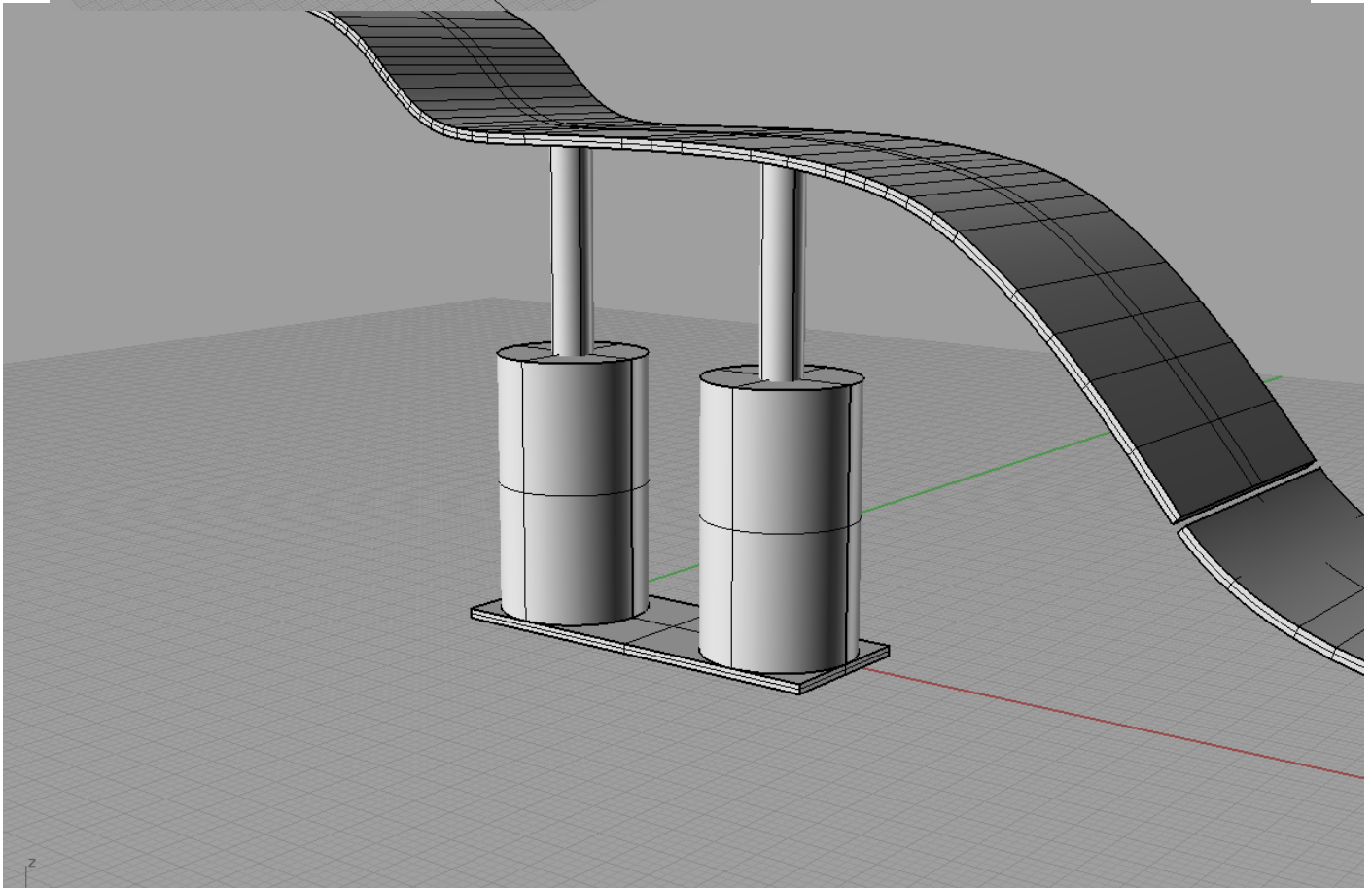
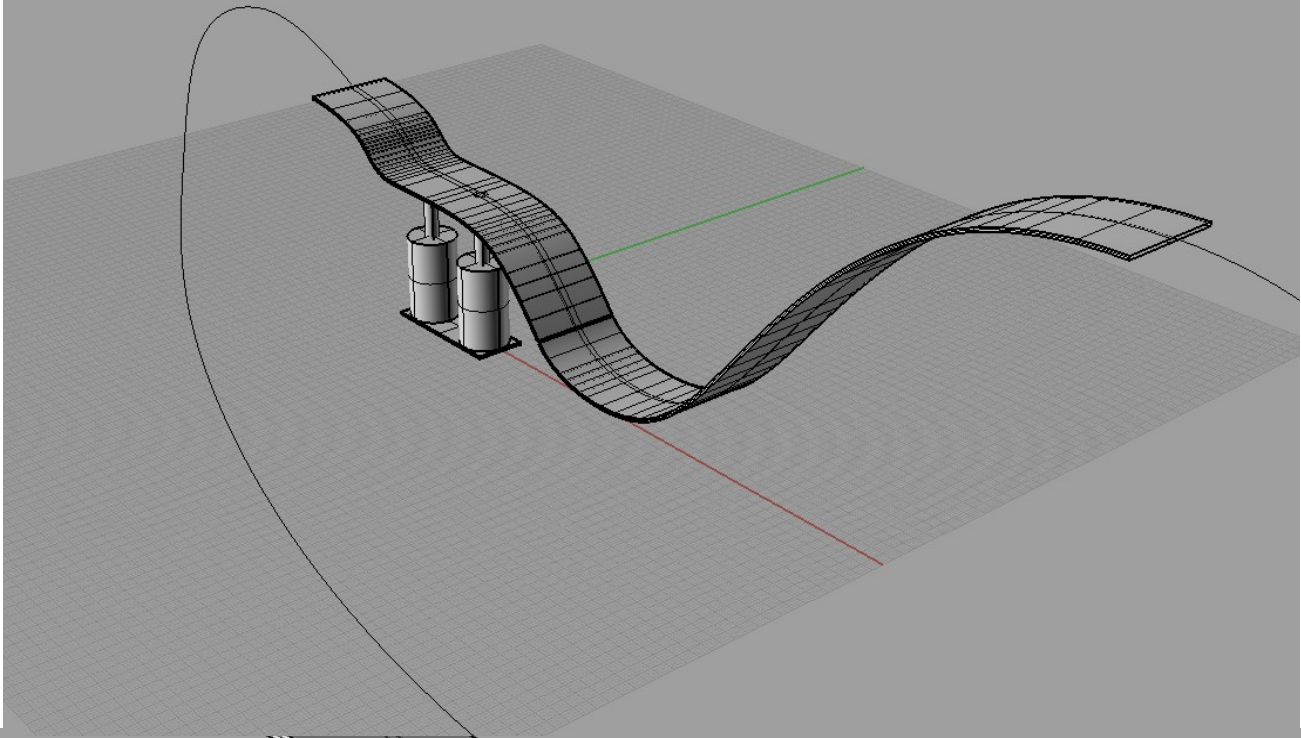
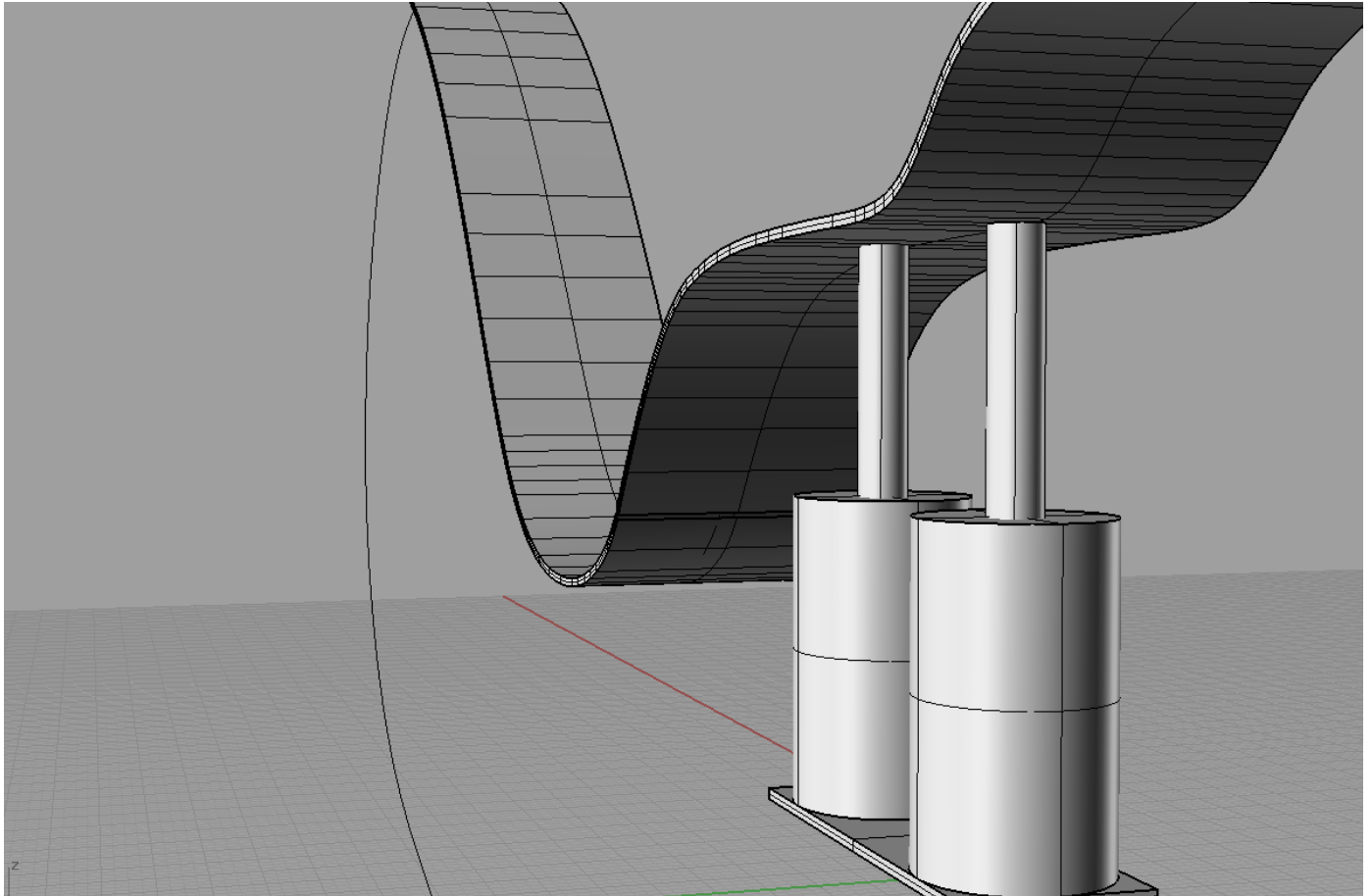


# The Roller Coaster IDEA





I bought a couple of Solenoids to make a model of my idea! What about a roller coaster where the track is a mesh of chain or a giant belt. And the solenoids make just one piece of “track” move back and forth??? I'm going to make one using marbles as the cars. NEAT!!! This way a ride at an amusement park or fair would be a quarter of the size and easy to pack up and move!!!